

T1 is a 3kVA strip-wound Unisil core transformer from an Alpha 91B linear amplifier  
 RLY1 & 2 are Potter & Brumfield relays type T92P7D/A22 12V

REC-G1-ALC and G2-CONTROL boards available from IFWTech  
<http://www.ifwtech.co.uk/g3sek/>

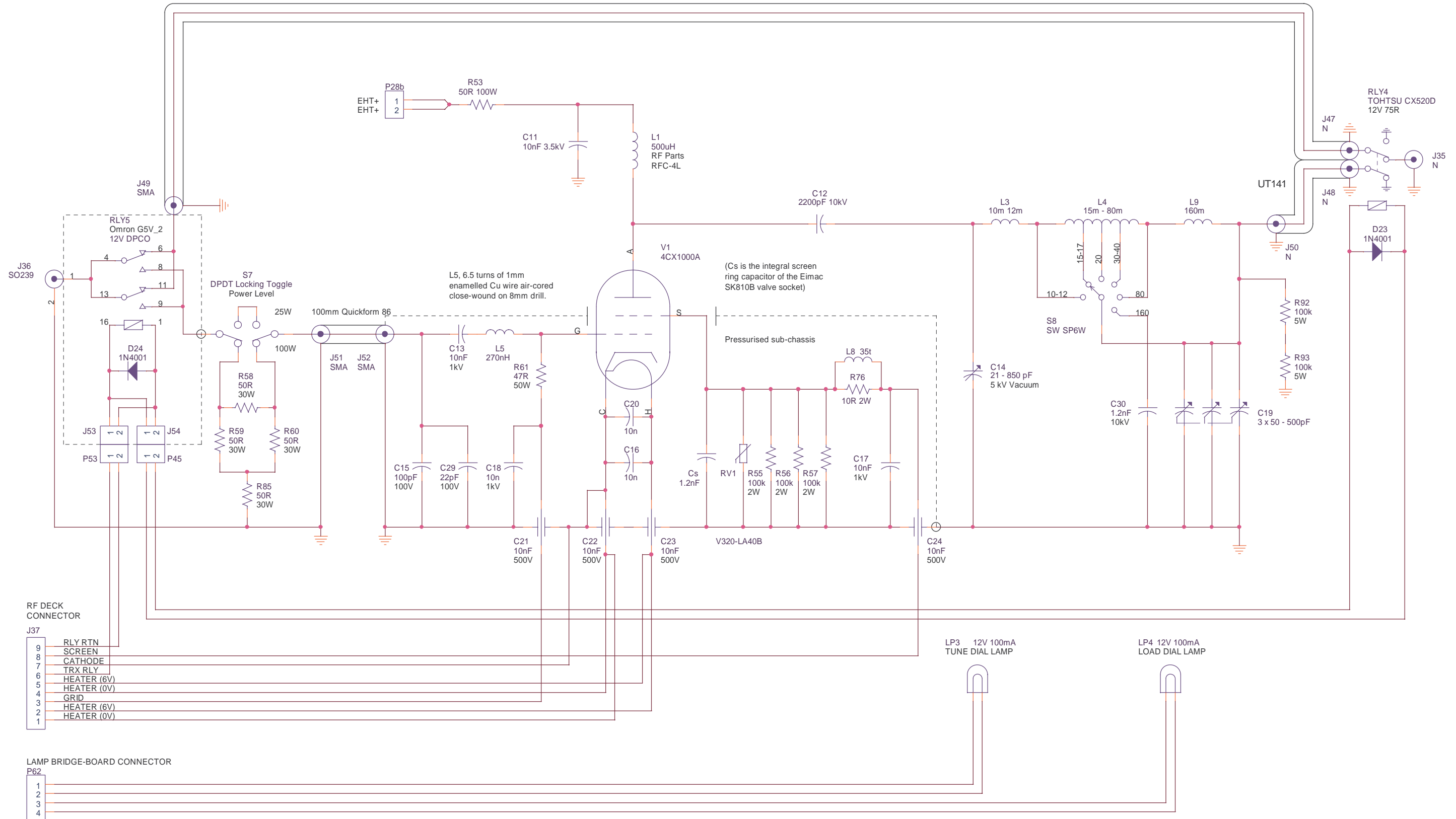
Title		<a href="http://granta.digital-crocus.com/linear.php3">http://granta.digital-crocus.com/linear.php3</a>	
Size	A3	Document Number	Power Supply
Date:	Tuesday, February 14, 2006	Sheet	1 of 7
		Rev	9

- P2 FRONT PANEL DB25S
- 13
  - 25
  - 12
  - 24
  - 11
  - 23
  - 10
  - 22
  - 9
  - 21
  - 8
  - 20
  - 7
  - 19
  - 6
  - 18
  - 5
  - 17
  - 4
  - 16
  - 3
  - 15
  - 2
  - 14
  - 1
- AMMETER LAMP  
 VOLTMETER LAMP  
 ON-OFF LAMP  
 STANDBY / OPERATE  
 VOLTMETER  
 ANODE CURRENT  
 GRID CURRENT  
 SCREEN CURRENT  
 ALARM LED  
 RESET

- P4 REAR PANEL DB9S
- 5 PURPLE
  - 9 ORANGE
  - 4 YELLOW
  - 8 YELLOW
  - 3 BLACK SPARE
  - 7 GREEN
  - 2 BLACK
  - 6 BLUE
  - 1 BLACK
- BIAS  
 PTT  
 ALC

- J19 RF DECK CONNECTOR
- 9 RLY RTN
  - 8 SCREEN
  - 7 CATHODE
  - 6 TRX RLY
  - 5
  - 4
  - 3 GRID
  - 2 HEATER (6V)
  - 1 HEATER (0V)
- WHITE  
 RED  
 YELLOW

200mm Quickform 86

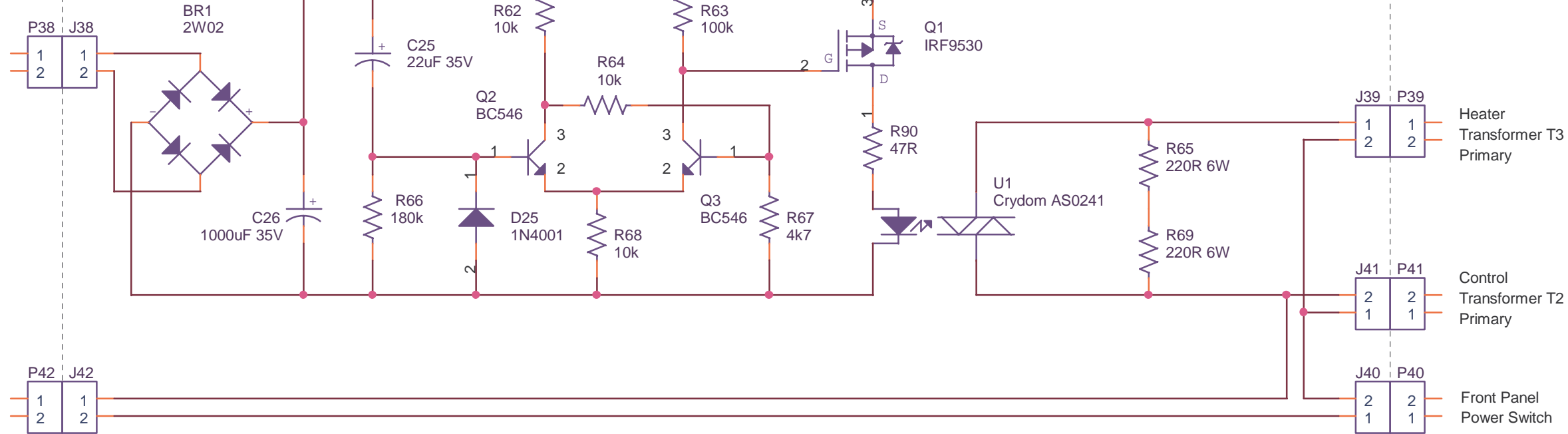


- RF DECK CONNECTOR  
J37
- 9 RLY RTN
  - 8 SCREEN
  - 7 CATHODE
  - 6 TRX RLY
  - 5 HEATER (6V)
  - 4 HEATER (0V)
  - 3 GRID
  - 2 HEATER (6V)
  - 1 HEATER (0V)

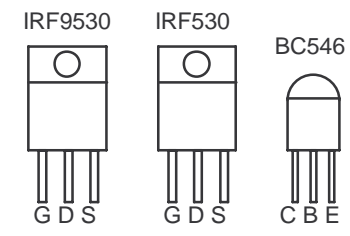
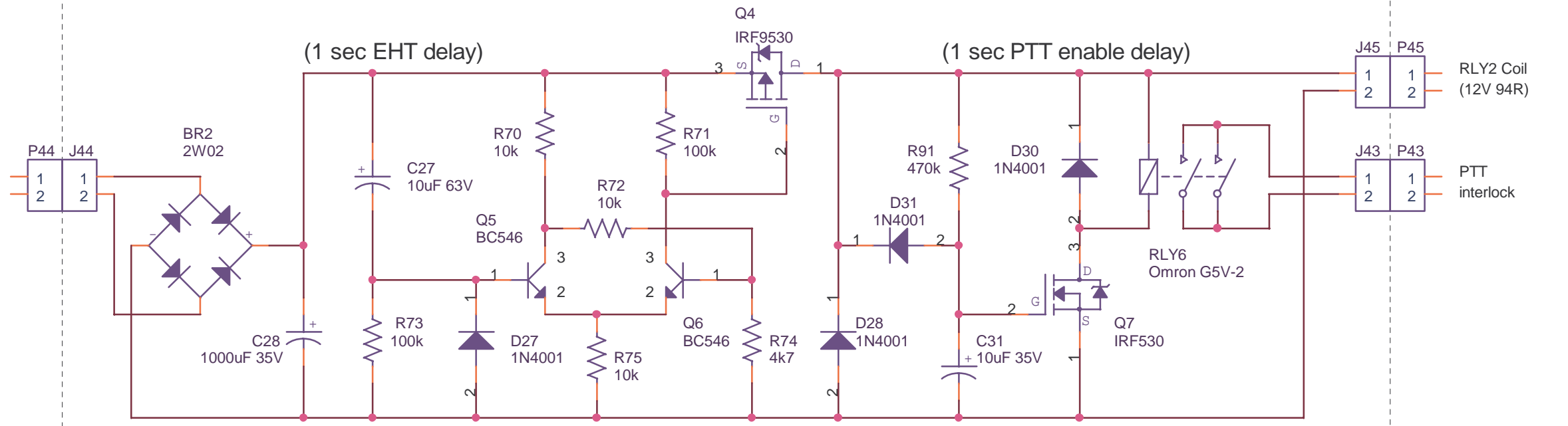
- LAMP BRIDGE-BOARD CONNECTOR  
P62
- 1
  - 2
  - 3
  - 4

Title		
http://granta.digital-crocus.com/linear.php3		
Size	Document Number	Rev
A3	RF Deck	9
Date:	Tuesday, February 14, 2006	Sheet 2 of 7

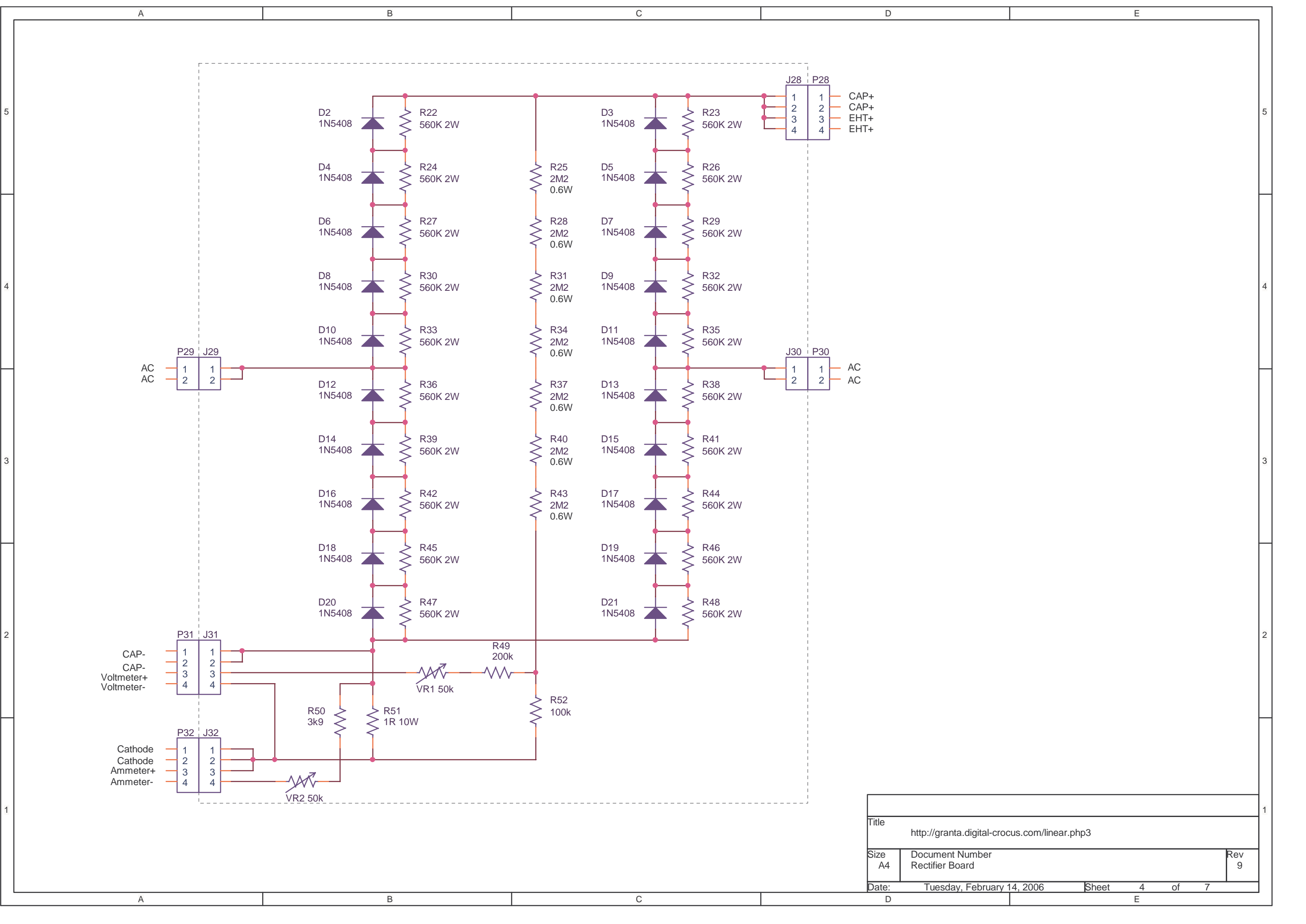
6V from Control Transformer T2, 24 to 30V taps via Bias Supplies Bridge Board



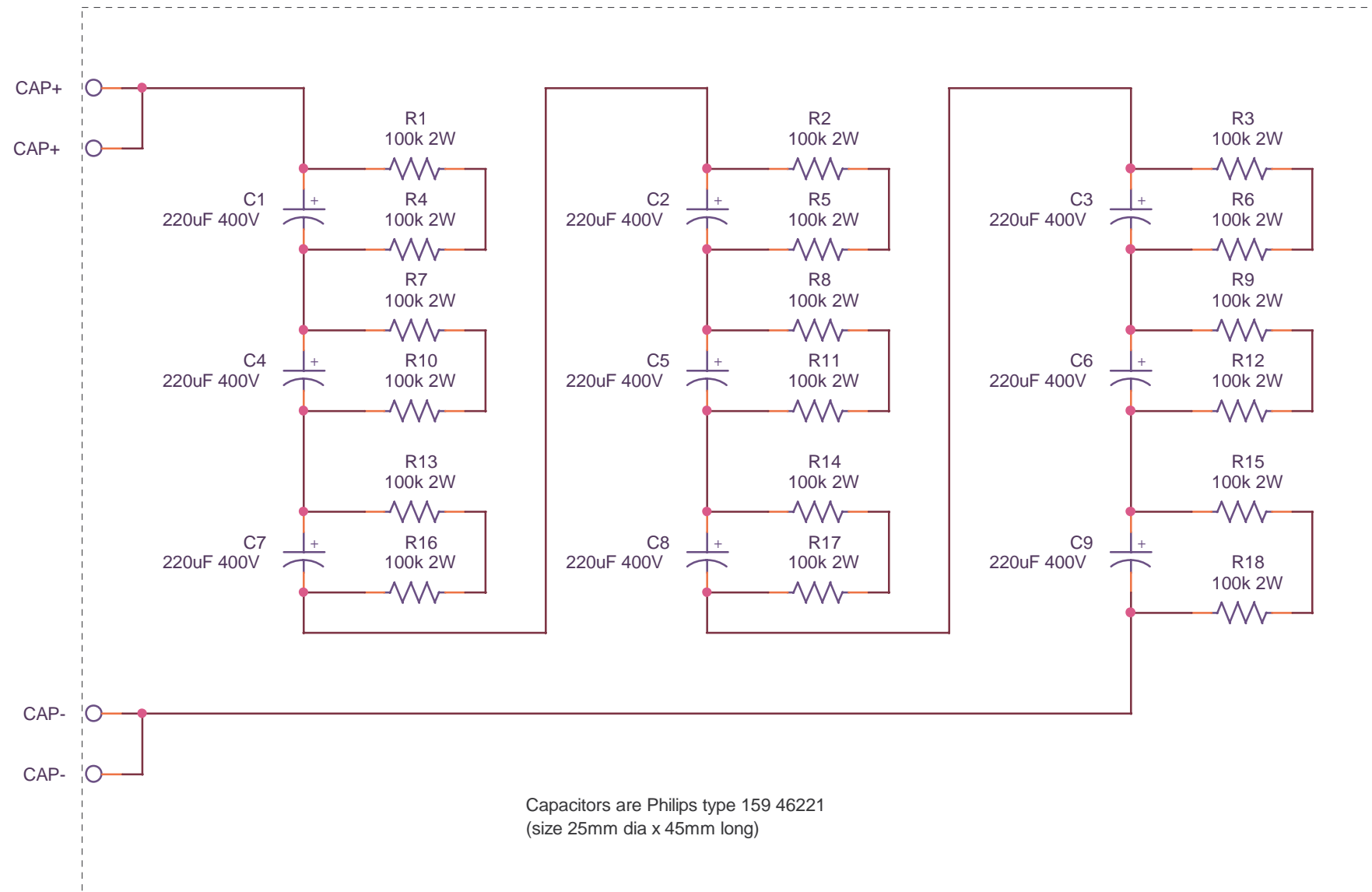
14V from Main Transformer T1, via Bias Supplies Bridge Board



Title		
http://granta.digital-crocus.com/linear.php3		
Size	Document Number	Rev
A4	Soft Start Timers	9
Date:	Tuesday, February 14, 2006	Sheet 3 of 7

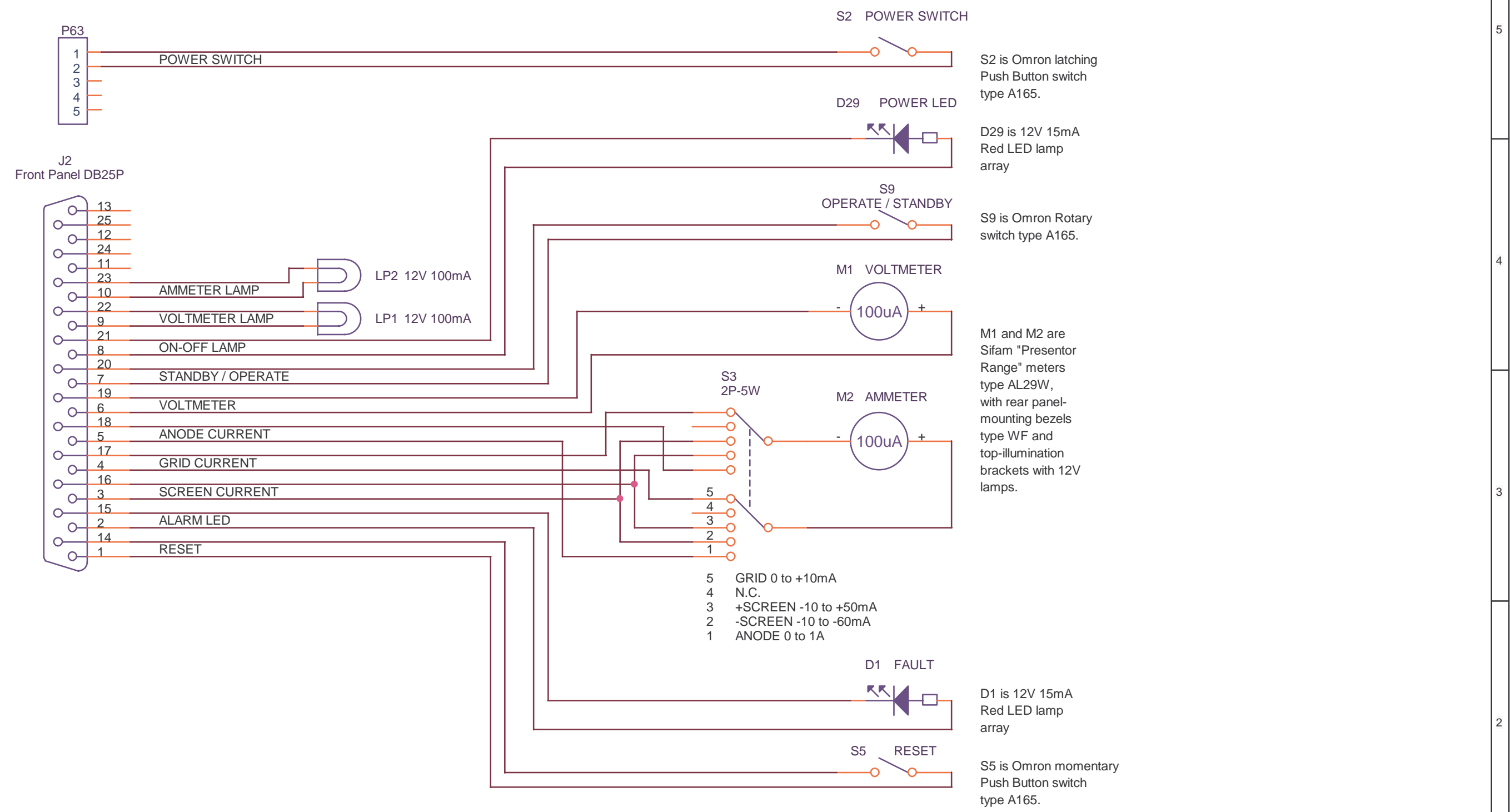


Title		
http://granta.digital-crocus.com/linear.php3		
Size	Document Number	Rev
A4	Rectifier Board	9
Date:	Tuesday, February 14, 2006	Sheet 4 of 7



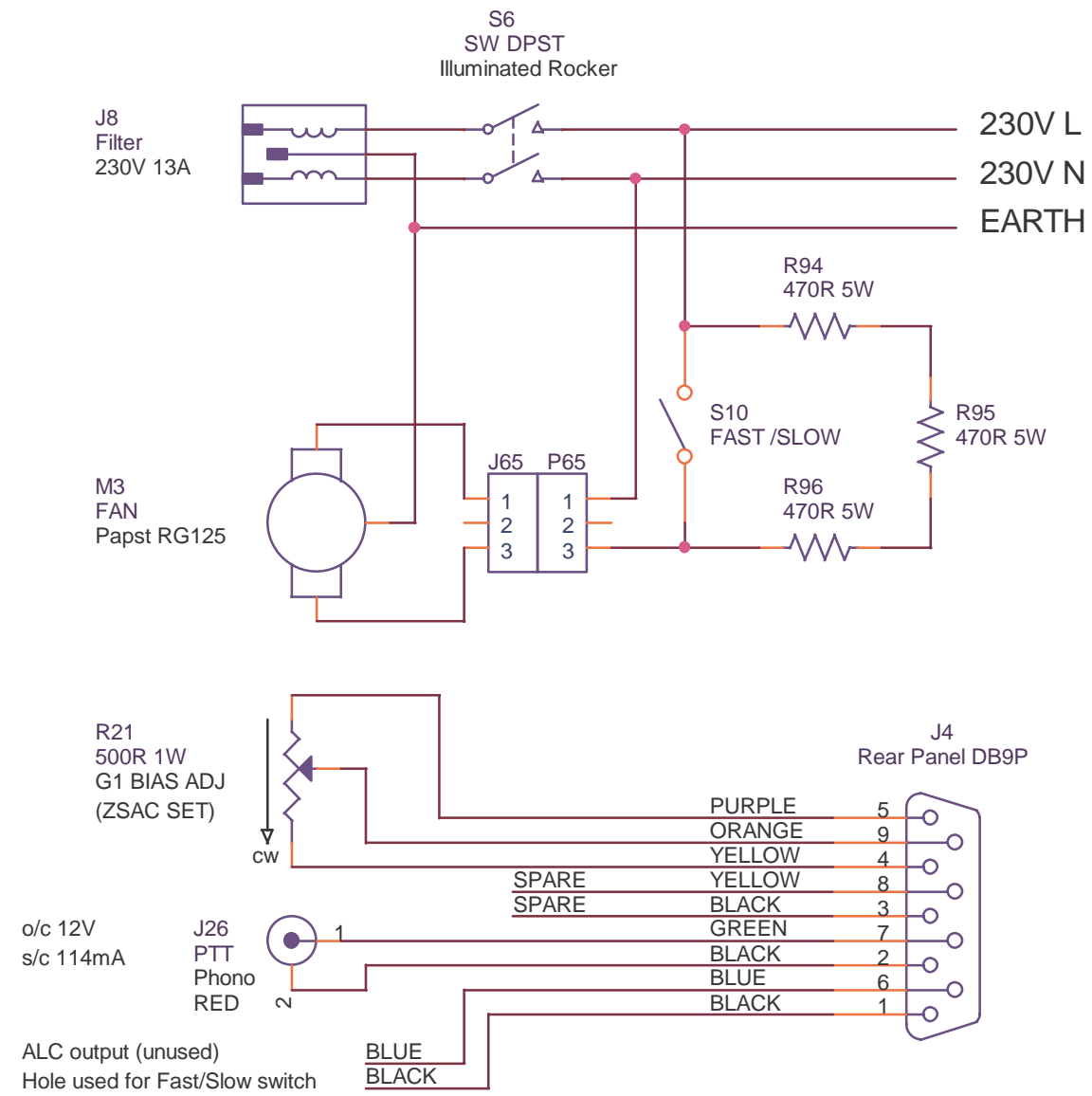
Capacitors are Philips type 159 46221  
(size 25mm dia x 45mm long)

Title		
http://granta.digital-crocus.com/linear.php3		
Size	Document Number	Rev
A4	Capacitor Board	9
Date:	Tuesday, February 14, 2006	Sheet 5 of 7

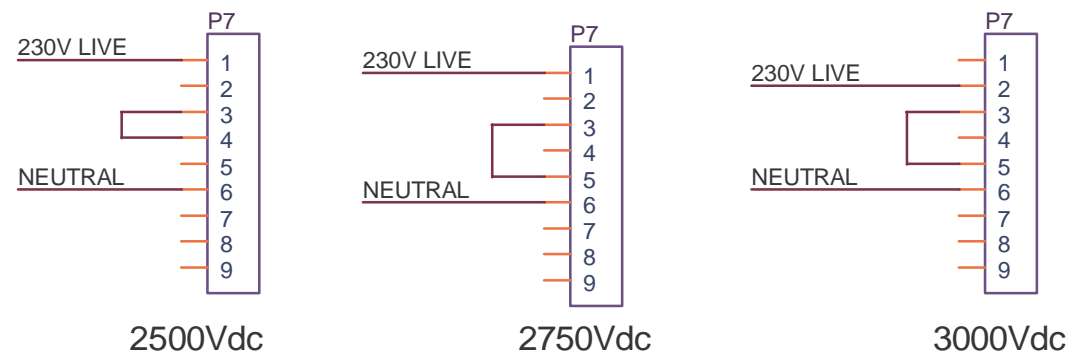


Title		
http://granta.digital-crocus.com/linear.php3		
Size	Document Number	Rev
A4	Front Panel	9
Date:	Tuesday, February 14, 2006	Sheet 6 of 7

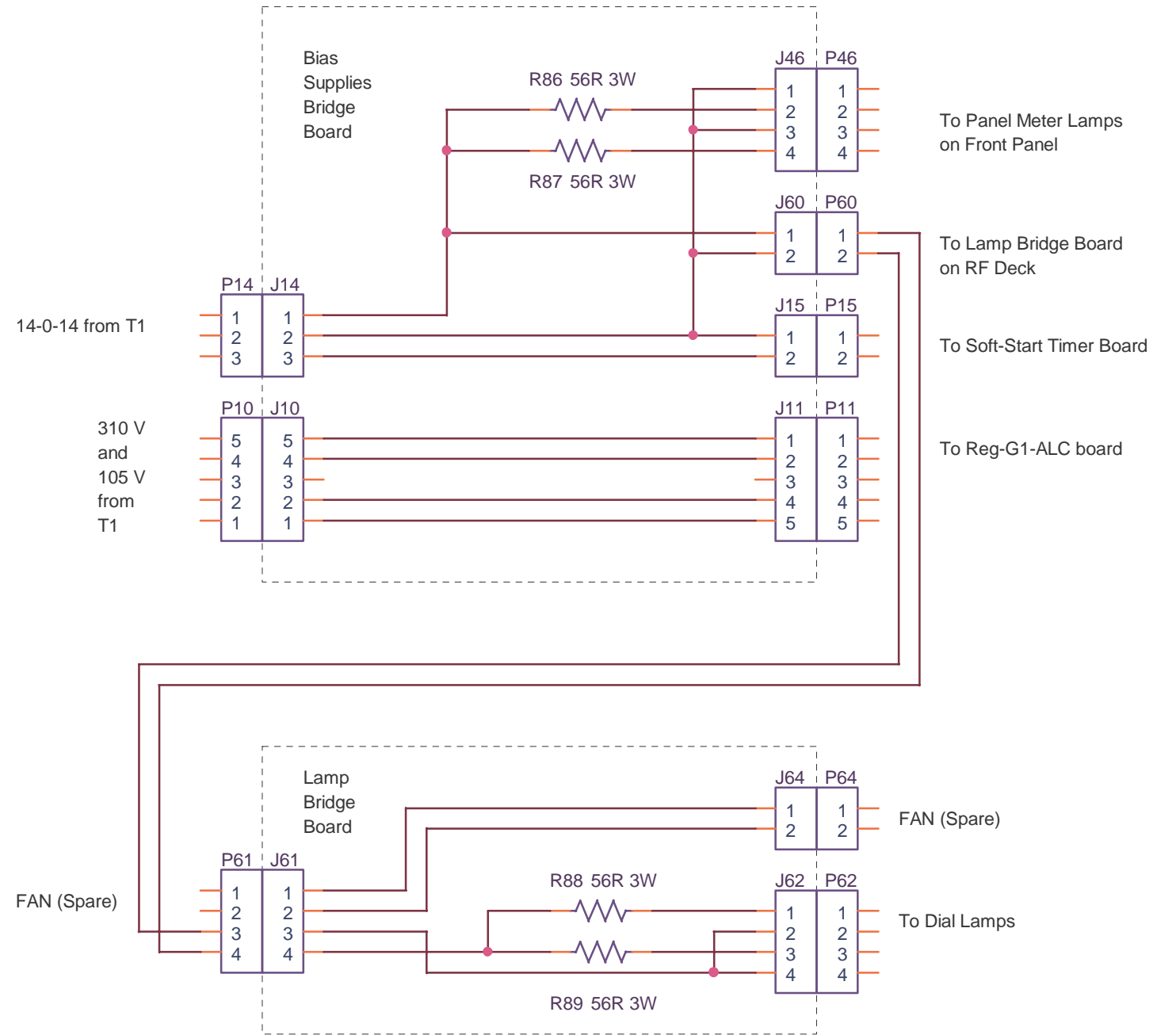
# BACK PANEL



# MAINS INPUT WIRING OPTIONS



# BRIDGE BOARDS



Title		
http://granta.digital-crocus.com/linear.php3		
Size	Document Number	Rev
A4	Back Panel, Mains Input Wiring Options & Bridge Boards	9
Date:	Tuesday, February 14, 2006	Sheet 7 of 7